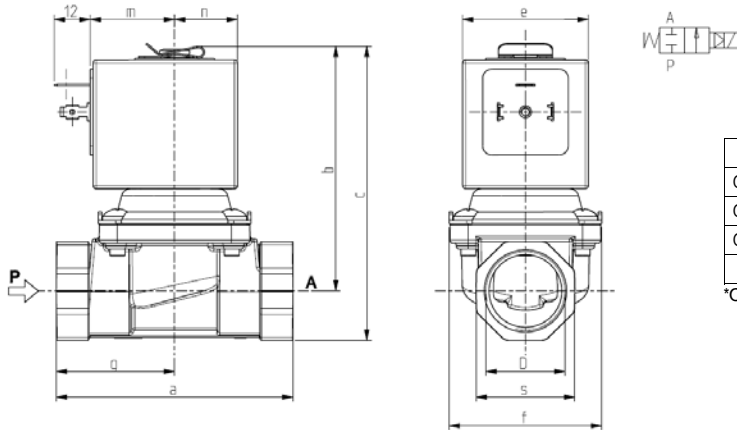




**SOLENOID VALVE**  
**2/2 - NC (Normally closed)**  
**Pilot operated hung diaphragm**  
**G3/8 ÷ 1**

**L133**



D	a	b	c	e	f	m	n	s	g
G 3/8	60	67,5	78,7	30	40,2	21,6	15*	22	25,5
G 1/2	66	67,5	78,7	30	40,2	21,6	15*	27	-
G 3/4	79	81	98	42	51	28	21	33	-
G 1	105	100	121	48,6	71	35	24,3	42	46

\*Only for ZA32K n=19,9

► **GENERAL FEATURES**

Pilot operated hung diaphragm valve with full orifice.  
 Designed for closed circuit hydraulic systems and for vessels draining.  
 Suitable to shut off liquid and gaseous fluids (verify the compatibility of fluid with materials in contact).

► **TECHNICAL FEATURES**

*Maximum allowable pressure (PS)* 16 bar  
*Opening time* from ~100ms to ~150ms  
*Closing time* from ~100ms to ~400ms  
*Fluid temperature* -10°C +90°C (NBR)  
 0°C +130°C (FPM)  
 -10°C +140°C (EPDM)  
*Max viscosity* 5°E (~37 cStokes or mm<sup>2</sup>/s)

► **MATERIALS IN CONTACT WITH FLUID**

*Body* Brass  
*Sealing* NBR or FPM or EPDM  
*Internal components* Stainless steel and PPS (G3/8 – G1/2)  
 Stainless steel and brass (G3/4 – G1)  
*Seat* Brass  
*Core tube* Stainless steel  
*Shading coil* Copper (except L133(\*)17)

► **COIL**

*Approval* UL (class F) – for UL cl.H: ZA34  
*Continuous duty*  
*Encapsulation material* ED 100%  
*Insulation class* F (155°C)  
 on request class H (180°C)  
*Ambient temperature* -10°C +50°C  
*Electric connections* DIN 46340 - 3 poles connectors (EN175301-803)  
*Protection degree* IP 67 (EN 60529) with plug connector  
 IP 65 (EN 60529) with plug connector  
*Voltages* DC 12-24V (+10% -5%)  
 AC 24V/50Hz-110V/50Hz(120V/60Hz) - 230V/50Hz (+10% -15%)  
 (Other voltages and frequencies on request)

ZA10A	ZA32K	Z130A	Z923A/E
UL (class F) – for UL cl.H: ZA34			
ED 100%			
PPS (Polyphenilsulfure) fiberglass reinforced	PET (polyethylene terephthalate) fiberglass reinforced	PPS (Polyphenilsulfure) fiberglass reinforced	
F (155°C) on request class H (180°C)	F (140°C) on request class H (165°C)	H (165°C)	
-10°C +50°C	-10°C +60°C	-10°C +80°C	
DIN 46340 - 3 poles connectors (EN175301-803)			
IP 67 (EN 60529) with plug connector	IP 65 (EN 60529) with plug connector		
12-24V (+10% -5%)			
24V/50Hz-110V/50Hz(120V/60Hz) - 230V/50Hz (+10% -15%) (Other voltages and frequencies on request)			

Port size ISO 228	Orifice size (mm)	Δp min	Differential pressure (bar)				Kv (m <sup>3</sup> /h)	Series and type		Power absorption			Sealings	Notes	Weight (kg)
			Δp max					Valve	Coil	AC (VA)		DC			
			Gas		Liquids					Inrush	Holding				
G3/8	12.5	0	10	3	10	3	2	L133(*)16	ZA10A	23	14	9	(*) = B (NBR)	1	0.340
			-	8	-	8		L133(*)17	ZA32K	-	-	10	(*) = V (FPM)	-	0.350
G1/2	17	0	10	3	10	3	2.2	L133(*)16	ZA10A	23	14	9	(*) = D (EPDM)	1	0.410
			-	8	-	8		L133(*)17	ZA32K	-	-	10	(*) = D (EPDM)	-	0.420
G3/4	17	0	10	3	10	3	4.5	L133(●)07	Z130A	44	24	13	(●) = B (NBR)	-	0.790
			10	-	10	-		L133(●)06	Z923E	65	33	-	(●) = V (FPM)	-	1.810
G1	24	0	-	3	-	3	9	L133(●)06	Z923A	-	-	17	(●) = V (FPM)	-	1.810

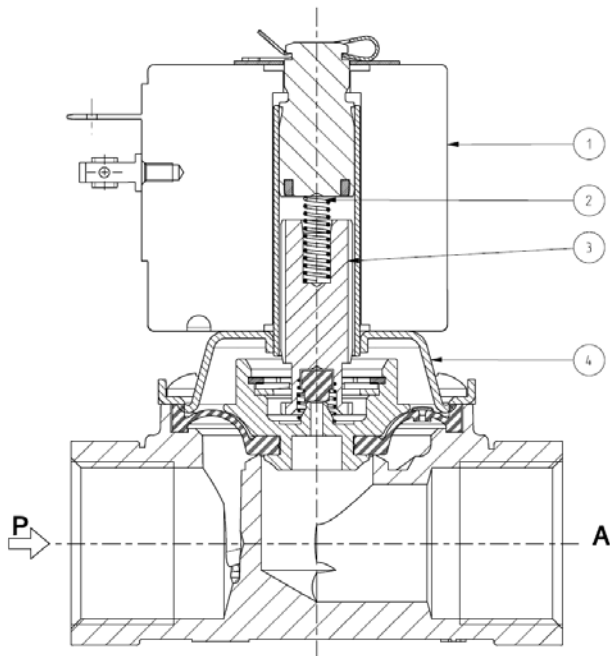
► **NOTES**

- Sealings : NBR = Nitrile-butylene elastomer FPM = Fluoro-carbon elastomer EPDM = Ethylene-propylene elastomer (WRAS/KTW homologated compound)
- The nominal flow is guaranteed with Δp min ≥ 0,3 bar. Contact us in case of lower Δp min values.
- UL approved coil (E153691)
- 1 - IMQ CSV approval, see ZA10 datasheet for further details

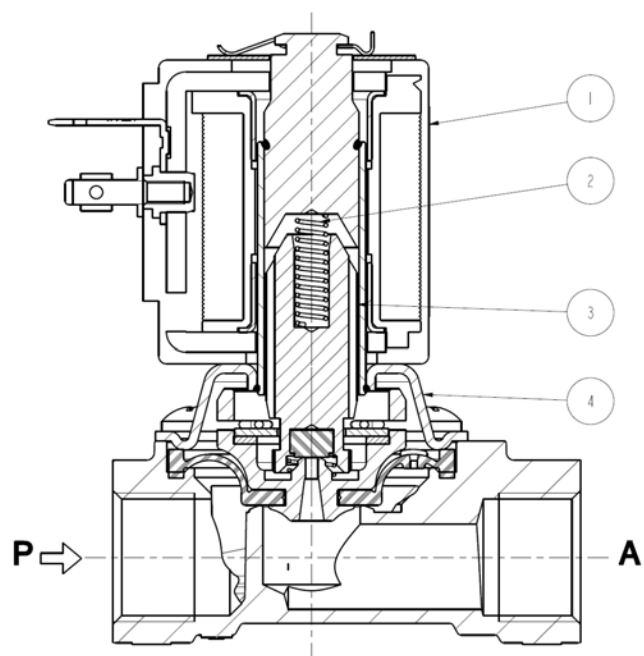
# L133

## ► SPARE PARTS

L133B06 - V06 - B07 - V07 - B16 - V16 - D16



L133B17 - V17 - D17



### Kit description

Core diaphragms kit

	L133B16
	L133V16
G 3/8 - 1/2	L133D16
	L133B17
	L133V17
	L133D17
G 3/4	L133V07
	L133B07
G 1	L133V06
	L133B06

Core return spring kit

G 3/8 - 1/2	L133B/V/D16/17	G434623
G 3/4	L133B-V07	G2918601
G 1	L133B-V06	G2955801

Guide assembly kit

G 3/8 - 1/2	L133B/V/D16
	L133B/V/D17

Guide assembly

G 3/4	L133B-V07	3077701R
G 1	L133B-V06	2408202R

Coil

G 3/8 - 1/2	L133B/V/D16	ZA10A
	L133B/V/D17	ZA32K
G 3/4	L133B-V07	Z130A
G 1	L133B-V06 (AC)	Z923E
	L133B-V06 (DC)	Z923A

### Kit P.N.

### Consisting of:

Core return spring pos. 2  
Diaphragm assembly with core assembly pos. 3

n°10 core return springs pos. 2

Guide assembly pos. 4  
Coil clip

Guide assembly pos. 4

Coil pos. 1

## ► INSTALLATION

Solenoid valve can be mounted in any position; vertical with coil upwards preferred.

THE VALIDITY OF REPORTED DATA IS REFERRED TO THE DATE OF ISSUE. POSSIBLE UPDATES ARE AVAILABLE ON REQUEST.